

BAUMANN SIDELOADERS
THE ORIGINAL SIDELOADER FROM CAVAION

For over 40 years the BAUMANN name has been synonymous with the production of high quality sideloaders and therefore as a company we embrace a policy of continuous improvement, introducing new technologies as and when they become available. Our extensive network of dealers and service partners have been chosen to ensure that our central philosophy of professionalism and a consultative approach is displayed to our customers at all times.



chosen to ensure that our central philosophy of professionalism and a consultative approach is displayed to our customers at all times.

BAUMANN EGX 50 - 70

Electric Motor

120 V Technology

5 - 7 t Load Capacity

NEW



CAVAION SIDELOADERS
BAUMANN

BAUMANN S.r.l.
I-37010 CAVAION (Verona)
Via Palesega, 1
Telephone +39 045 6 20 53 11
Fax +39 045 6 20 53 55
info@baumann-online.it
www.baumann-online.it

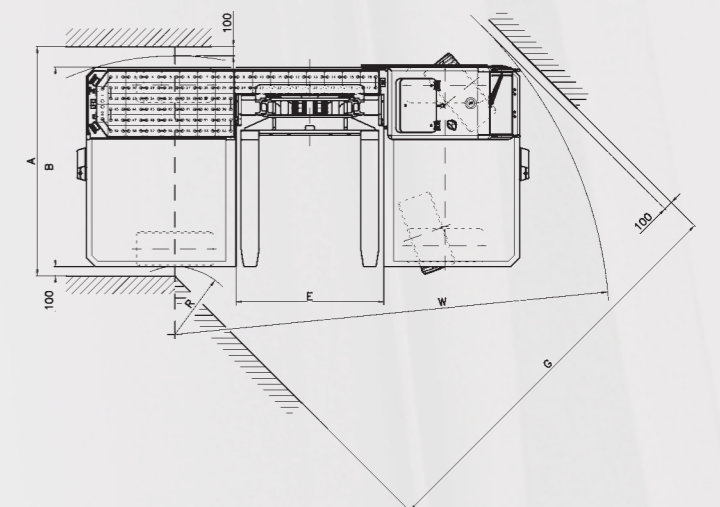
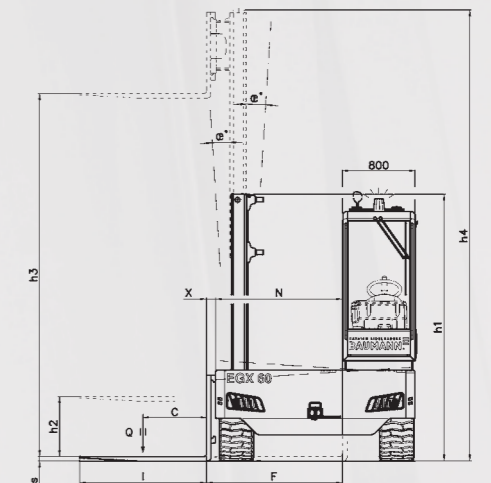
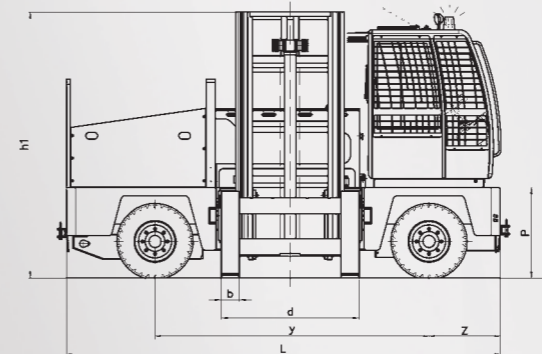
CAVAION SIDELOADERS
BAUMANN

TYPE			Series EGX 50	Series EGX 60	Series EGX 70
------	--	--	---------------	---------------	---------------

Technical Data					
Lifting capacity	Q	Kg	5000	6000	7000
Load center	C	mm	600/700	600/700	600/700
Fork length	l	mm	1200/1400	1200/1400	1200/1400
Fork width	b	mm	200	200	200
Fork thickness	s	mm	50	60	60
Drive			Electric	Electric	Electric
Type of steering			Hydrostatic		
Type of tyres			Pneumatic tyres		
Dimensions					
Overall length	L	mm	4780	4780	4780
Overall width	B	mm	2000/2200	2000/2200	2070/2270
Overall height mast lowered	h1	mm	3020	3020	3020
Overall height mast extended	h4	mm	5020	5020	5020
Cabin height	H	mm	2850	2850	2850
Lift height	h3	mm	4000	4000	4000
Free lift	h2	mm	600	600	600
Inclination up/down		°	4.0/4.0	4.0/4.0	4.0/4.0 - 3.6/3.6
Platform height	P	mm	1000	1000	1000
Platform width	N	mm	1200/1400	1200/1400	1200/1400
Lateral movement	F	mm	1300/1500	1300/1500	1300/1500
Load spacing max.	x	mm	100	100	100
Framework cut	E	mm	1630	1630	1630
Fork spacing max	d	mm	1500	1500	1500
Turning radius inner	R	mm	745	745	710
Turning radius outer	W	mm	4700/4800	4700/4800	4700/4800
Aisle width	A	mm	2400/2600	2400/2600	2400/2600
Aisle width for 90° turning	G	mm	4400/4450	4400/4450	4420/4520
Performance					
Travel with/without load		Km/h	18/18	18/18	18/18
Lifting with/without load		m/s	0.32/0.32	0.32/0.32	0.32/0.32
Lowering with/without load		m/s	0.4/0.3	0.4/0.3	0.4/0.3
Outreach		m/s	0.35	0.35	0.35
Tractive power		kN	41	41	41
Gradeability		%	16/18	16/18	16/18
Weights					
Weight of truck		Kg	11000	12000	12500
Axle load front		Kg	9250	9750	10000
Axle load rear		Kg	10500	10750	11000
Chassis					
Tyres front/rear			2/2	2/2	2/2
Tyres size front/rear		Inches	300-15	300-15	355/65-15
Tyres outside diameter		mm	840	840	843
Wheel base	Y	mm	3020	3020	3020
Track front	Sp1	mm	1640/1840	1640/1840	1640/1840
Track rear	Sp2	mm	1670/1870	1670/1870	1670/1870
Ground clearance		mm	240	240	240
Service brake	Hydraulic		Front		
Parking brake	Hydraulic		Drive Wheels		
Drive					
Battery type	EPZM	120V	6EPZM	6EPZM	6EPZM
Battery capacity	Ah	min.	750	750	750/930
Drive motor	Number		2 x 20kW	2 x 20kW	2 x 20kW
Gearchanging	Switch		Manual	Manual	Manual
Gear levels	Fw/Rev		Direct		
Controller	Mosfet	Inverter	Impuls	Impuls	Impuls
Hydraulic pump			35 kW S2 30 min	35 kW S2 30 min	35 kW S2 30 min

BAUMANN EGX 50 - 70 New electric sideloader with 120 V system for higher and higher performances in terms of travel, lifting and outreach speed and above all in terms of longevity of the battery.

EGX 50 - 60	Lift Height	Lowered	Extended	Free Lift	EGX 70	Lift Height	Lowered	Extended	Free Lift
	h3 mm	h1 mm	h4 mm	h2 mm		h3 mm	h1 mm	h4 mm	h2 mm
Duplex-Standard-mast ST	3300	2590	4240	660		4000	3070	5070	920
	4000	2940	4940	660		4500	3320	5570	920
	4500	3190	5440	660		5000	3570	6070	920
	5000	3440	5940	660		5500	3820	6570	920
	5500	3690	6440	660		6000	4070	7070	920
	6000	3940	6940	660		6500	4320	7570	920
Triplex-Free lift mast TR	4500	2440	5440	1465		4500	2570	5570	1465
	5100	2640	6040	1665		5100	2770	6170	1665
	5400	2740	6340	1765		5400	2870	6470	1765
	5700	2840	6640	1865		5700	2970	6770	1865
	6000	2940	6940	1965		6000	3070	7070	1965
	6300	3040	7240	2065		6300	3170	7370	2065
	6600	3140	7540	2165		6600	3270	7670	2165
	6900	3240	7840	2265		6900	3370	7970	2265
	7200	3340	8140	2365		7200	3470	8270	2365
	7500	3440	8440	2465		7500	3570	8570	2465



Some details of the 120 V technology fitted on the new BAUMANN electric sideloader EGX 50-70.